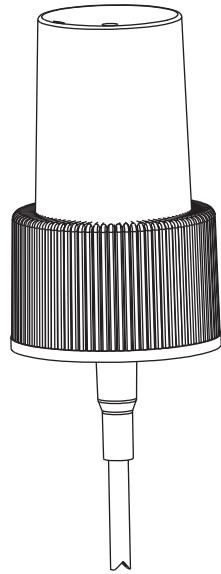
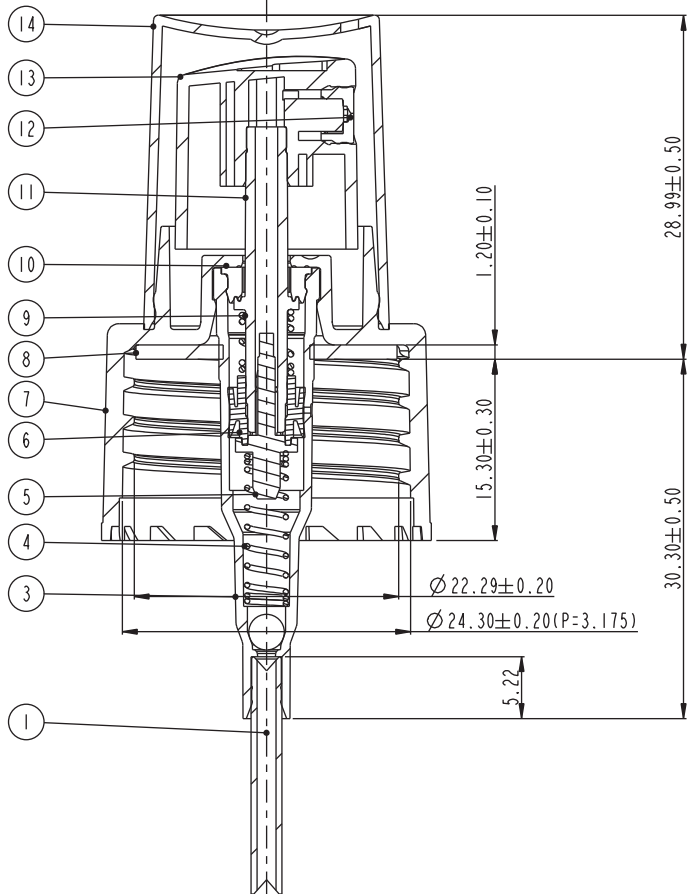
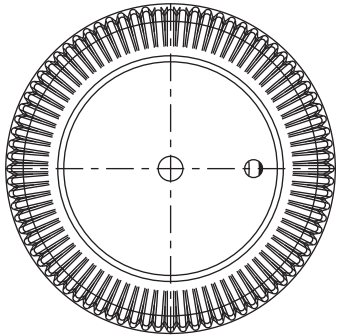


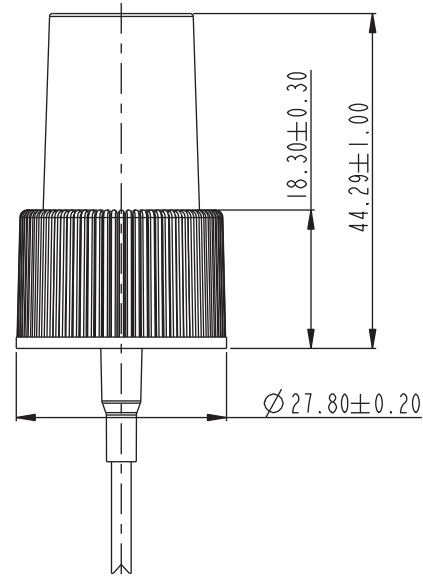


107751

24-410 Black Fine Mist Sprayer with 7.68" Dip Tube
K.G. International - sales@kgint.com - +1 305 499-9816



1:1



1:1

1. Dosage: $0.13 \pm 0.02 \text{ mL/T}$
2. Leakage test: -0.05 mpa/4Min
3. Weight: $6.88 \pm 0.7 \text{ g}$ (without Dip tube)
4. Actuator pull off force $\geq 10 \text{ N}$
5. Dip tube pull off force $\geq 8 \text{ N}$
6. Dustcap pull off force: $10-60 \text{ N}$

| TOLERANCE | | ○ | |
|------------|------------------|------------------|------------------|
| 0mm-15mm | ± 0.05 | ± 0.10 | ± 0.50 |
| 15mm-30mm | ± 0.05 | ± 0.15 | ± 1.00 |
| 30mm-50mm | ± 0.10 | ± 0.20 | ± 1.50 |
| 50mm-99mm | ± 0.15 | ± 0.30 | ± 2.00 |
| ABOVE 99mm | ± 0.20 | ± 0.40 | ± 2.50 |
| CENTER | ± 0.10 | ± 0.50 | ± 1.00 |
| ANGLE | $\pm 0.25^\circ$ | $\pm 0.50^\circ$ | $\pm 2.00^\circ$ |

| | | | | | | |
|-----|-----------------|----------|---|-------------|-----|--------|
| 14 | 20 PP Cap | PP | color for order form | SJY601-07A0 | I | |
| 13 | 20 Actuator | PP | color for order form | SJY601-08A7 | I | |
| 12 | Nozzle | POM | color for order form | SJY601-11A2 | I | |
| 11 | Stem | POM | natural | SJY601-04A1 | I | |
| 10 | Small Chaplet | HDPE | natural | SJY601-06A1 | I | |
| 9 | Up Spring | SUS | $\text{Ø}0.50 \times 4.6 \times 8.4 \times 6.5 \text{ N}$ | SJY601-96A2 | I | |
| 8 | Gasket | EPE | $\text{Ø}22 \times \text{Ø}7.3 \times 1.2 \text{ mm}$ | SJY601-20B1 | I | |
| 7 | 24/410R Closure | PP | color for order form | SJY601-05C5 | I | |
| 6 | Small Piston | LDPE | natural | SJY601-03A1 | I | |
| 5 | Needle | POM | natural | SJY601-17A1 | I | |
| 4 | Down Spring | SUS | $\text{Ø}0.45 \times 3.7 \times 18.5 \times 15 \text{ N}$ | SJY601-96A1 | I | |
| 3 | Housing | PP | color for order form | SJY601-01A2 | I | |
| 2 | Ball | GLASS | natural | SJY601-97A1 | I | |
| 1 | Dip tube | PE | Natural | SJY601-95A1 | I | |
| NO. | Component | Material | Specification | DWG No. | QTY | Remark |